

PACK SERVEUR IP

1 Serveur + 4 Camera CCTV Sony waterproof IP66



www.techdigitale.com

PACK SERVEUR IP

1 Serveur + 4 Camera CCTV Sony waterproof IP66

Avec ce pack complet, vous transformez vos cameras CCTV en camera IP. Pas besoin de relier une éventuelle camera IP sur votre routeur ADSL, pas besoin de configuration complexe ! Ce pack vous est livré avec 4 camera CCTV Sony waterproof de haute qualité ainsi qu'un serveur IP Vidéo. Ce dernier gère votre réseau de vidéo surveillance à distance.

A l'aide de notre logiciel (inclus) vous administrer à distance (via Internet) vos camera de vidéo surveillance (plusieurs administrateurs possibles).



www.techdigitale.com

PACK SERVEUR IP

1 Serveur + 4 Camera CCTV Sony waterproof IP66

Manufacturer Specifications

- Primary Function: Video Network Server
- On Board Inputs:
 - Video IN - 4 BNC Connections
 - Audio IN - 4 BNC Connections
 - Audio Out
 - USB Port
 - DC IN
 - MIC
 - Ethernet Port
 - Alarm
- Resolution: Supports Full-D1 (PAL: 720 x 576), CIF (352 x 288), QCIF (176 x 144), Half -D1 (720 x 288)
- Video Compression: MPEG 4, H264
- Frame Rate: PAL 25FPS
- Bit stream Type: Video Stream
- Bit rate: 16K - 4Mbps
- Audio IN: 4 Channel BNC (Line In, impedance: 600 Omega)
- Audio Out: MIC, BNC Interface
- Audio Codec: G.711
- Audio Sample: 16Kbps
- Audio Intercom Input: MIC
- Network Interface: One RS232 Serial Interface
- Alarm Input: 2 Channel
- Alarm Output: 2 Channel
- Power Source: DC 12v, 100-240v
- Power Consumption: <3.5W
- Working Temperature: -10 to +50 Degrees Celsius
- Working Humidity: 10% - 90%
- Certification: CE, FCC
- Dimensions: L:150 x W:185 x H:43 (mm)



PACK SERVEUR IP

1 Serveur + 4 Camera CCTV Sony waterproof IP66

How do you use this type of product?

Here are the basics on how to setup and use this video network server;

- (1) Connect the network video server to either your computer or your network.
- (2) Next, install the software client on your computer. After the installation of the client software is completed, you can then configure your network video server.
- (3) To configure the network video server, load up the server tools application that was installed as part of the client software.

within the server tools application, you will be able to search and modify your video network server's IP address.

Once you have finished, you have now completely transformed your traditional CCTV cameras into a modern age IP camera system. (If your traditional CCTV cameras include audio capabilities, then you can also connect them to the BNC audio input, giving you both video & audio feedback)



Comment utiliser ce serveur IP de vidéo surveillance ?

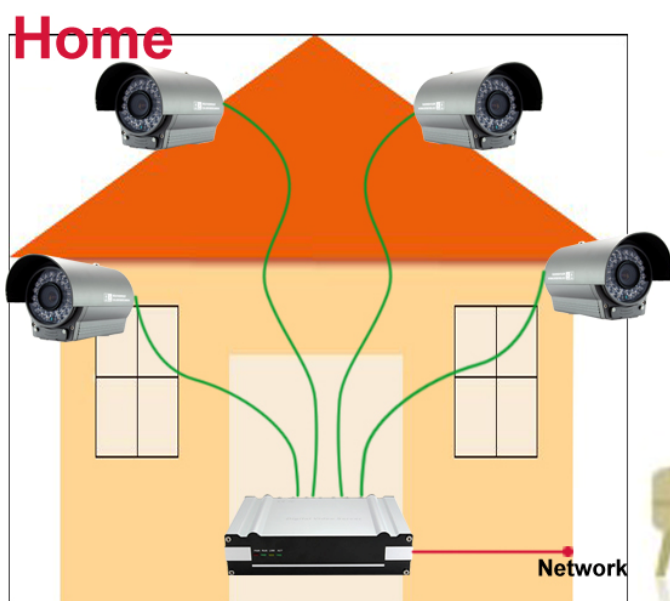
- 1 – Connecter votre serveur à votre ordinateur
- 2 – Installer le logiciel de configuration
- 3 – Suivez les instructions

www.techdigitale.com

PACK SERVEUR IP

1 Serveur + 4 Camera CCTV Sony waterproof IP66

4 Camera Sony dans votre pack !



Work



www.techdigitale.com

PACK SERVEUR IP

PACK SERVEUR IP

1 Serveur + 4 Camera CCTV Sony waterproof IP66

4 Camera Sony dans votre pack !

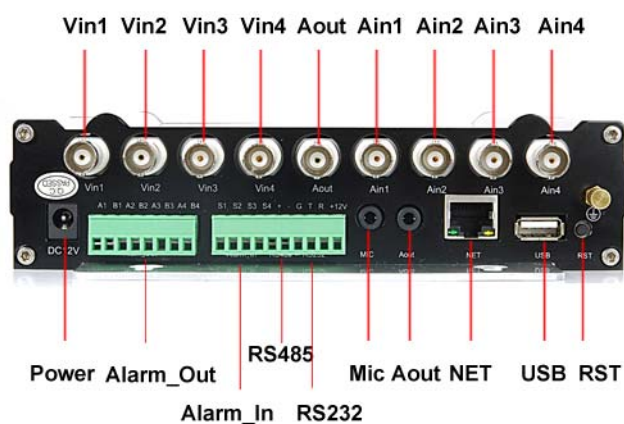
1/3 sony color CCD
420TVL 0Lux (IR ON) w/3.6mm lens
24 IR leds(φ5) **15meter(50Feet)**
Waterproof IP66,
Cable inside bracket



Vision de nuit jusqu'à 15mètres

Utilisation intérieure ou extérieure

Vu arrière de votre serveur



Back

www.techdigitale.com

PACK SERVEUR IP

1 Serveur + 4 Camera CCTV Sony waterproof IP66

Votre colis contient :



- 1 Video Network Server
- 1 Power Adapter (100 - 240V)
- 1 CD with Client Software
- 1 User Manual – English
- 4 Camera 1/3 Sony

